

Die Walküre Turntable & LT-1 Linear tangential tonearm

Warnings

Do not expose the equipment to rain or moisture.

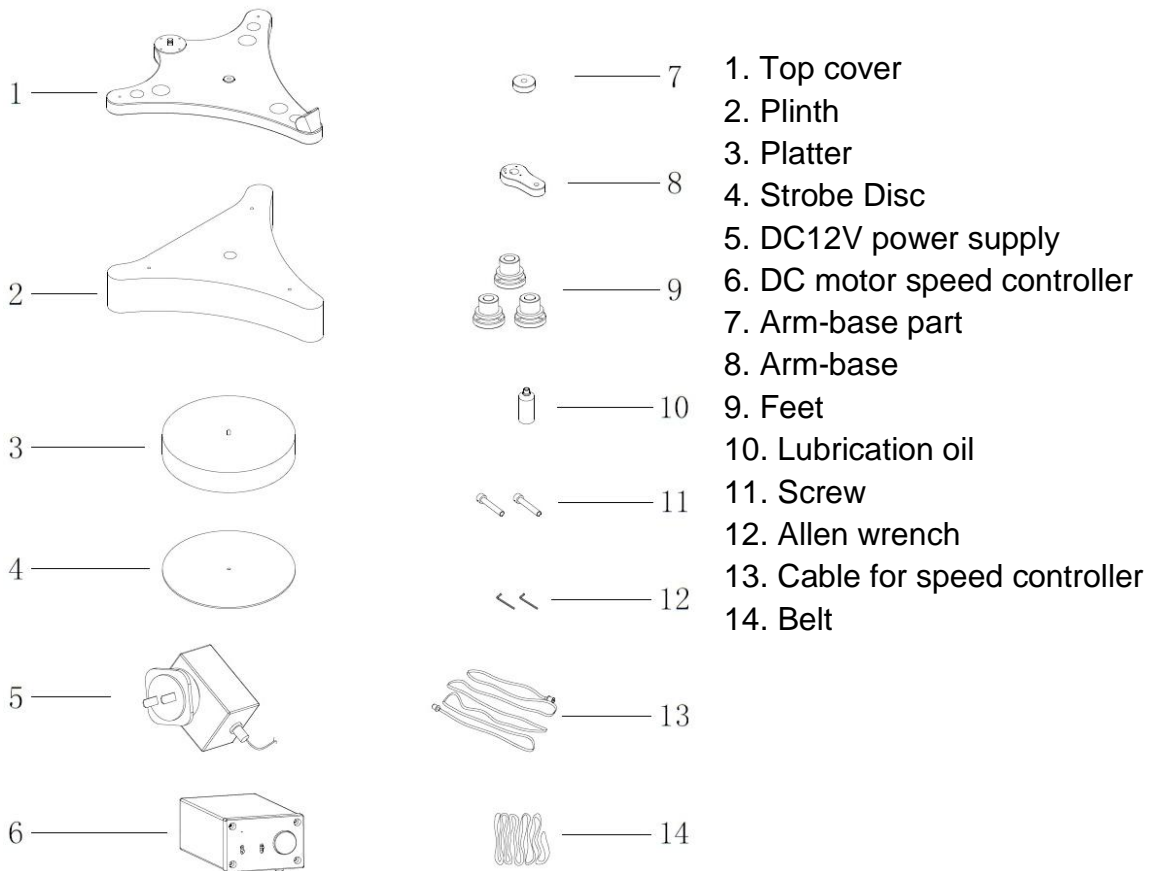
Do not remove the cover from the equipment.

Do not insert anything into the equipment through the ventilation holes.

Do not handle the mains lead with wet hands.

No naked flame sources, such as lighted candles, should be placed on the equipment.

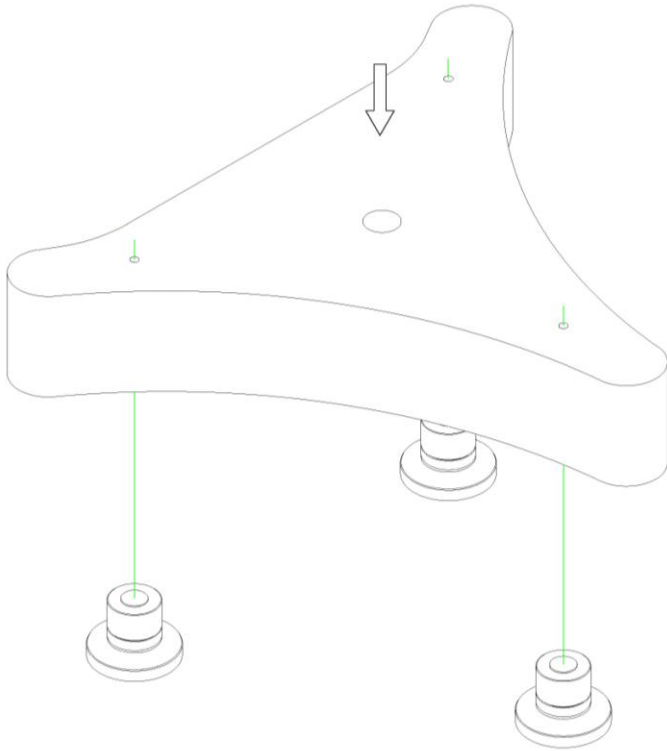
Die Walküre Turntable package contents



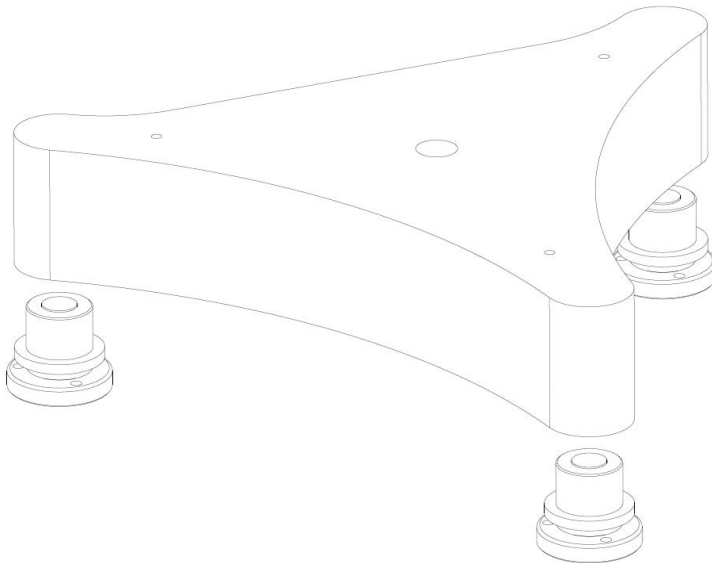
Assembling the Turntable

Open the box and take out the turntable plinth.

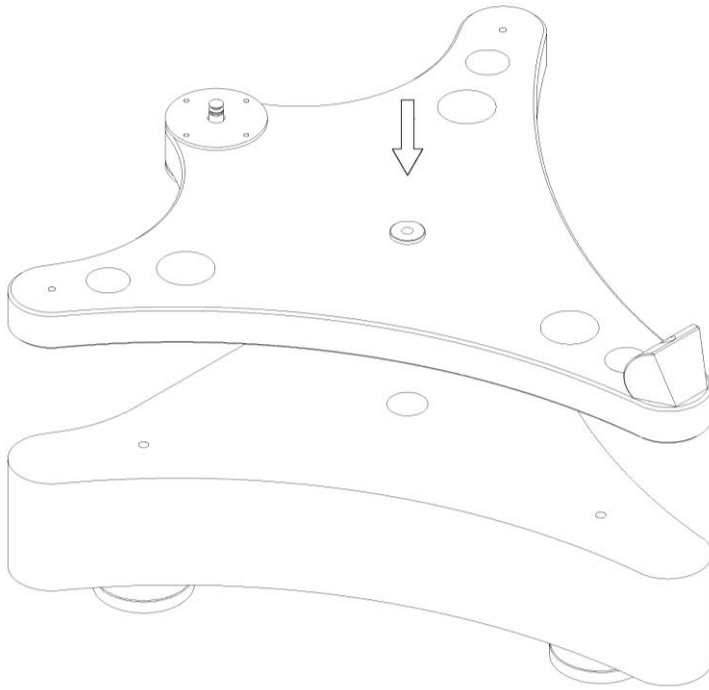
The bottom of the plinth has 3 holes for feet.



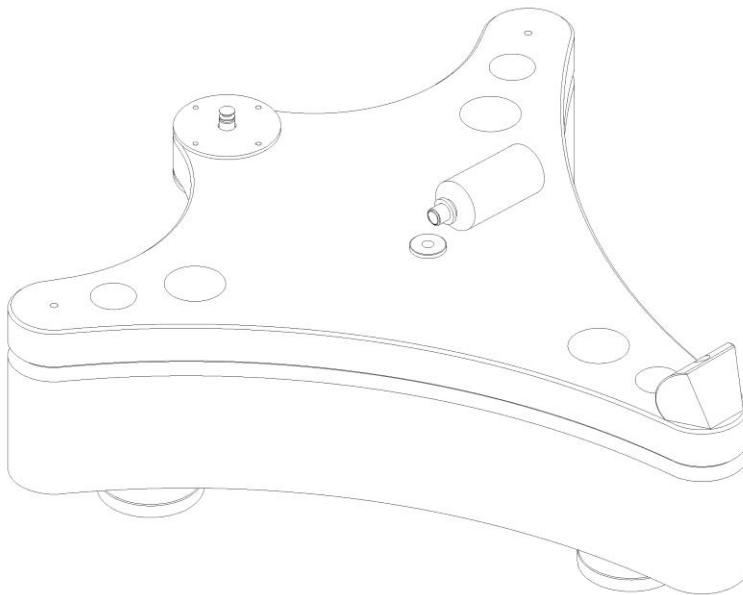
Note: When using LT-1 tonearm, in order to ensure LT-1 stability in the horizontal direction, it's better not let the feet in these holes. Put the feet on the corner.



Installing the top cover.

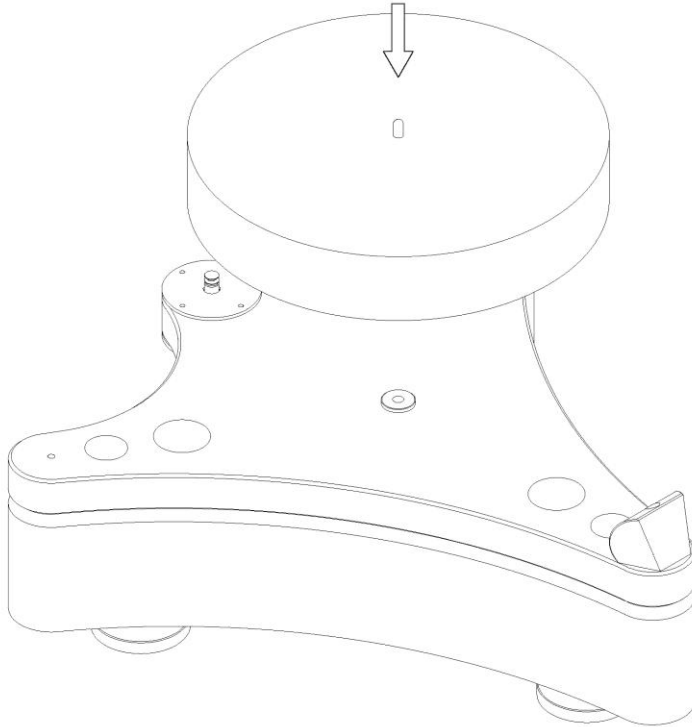


Fill the bearing with lubrication oil supplied to a level of approx 1mm above the bottom bearing.

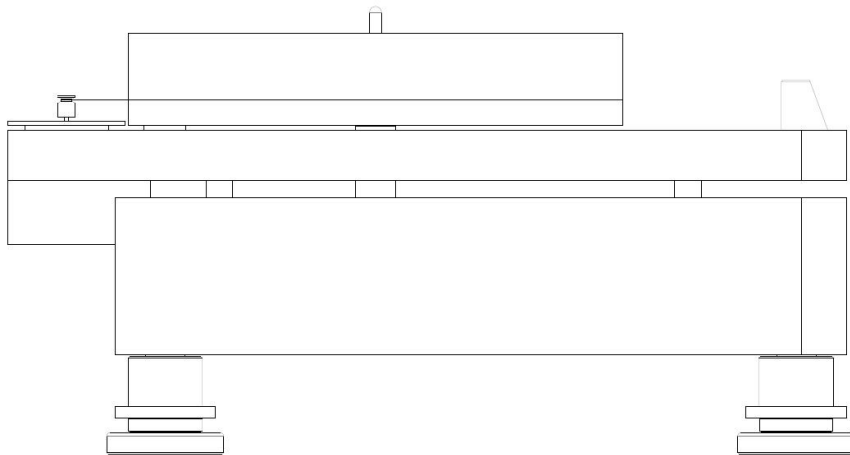


Installing the platter.

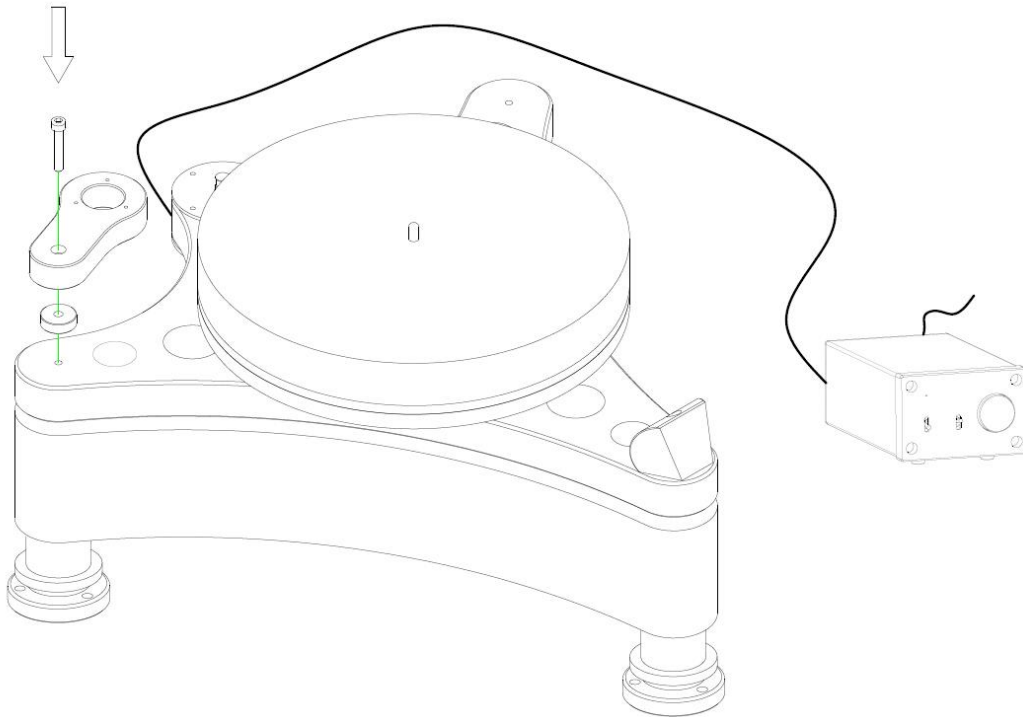
Hold it level over the bearing housing, locate it carefully and gently lower it until it seats fully over the bearing.



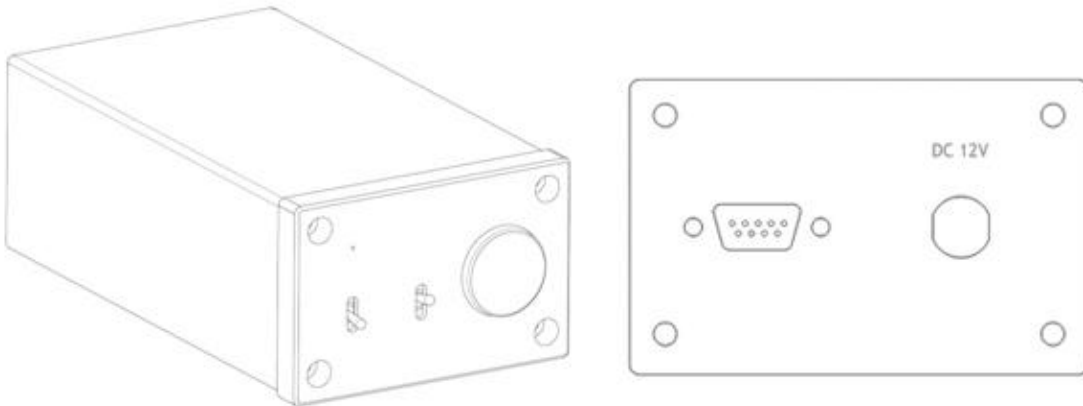
Take out one of the drive 'belts' and run it round the motor spindle and then round the platter.



Connecting the speed controller to the DC motor socket safely.



Connecting the DC12V power supply.

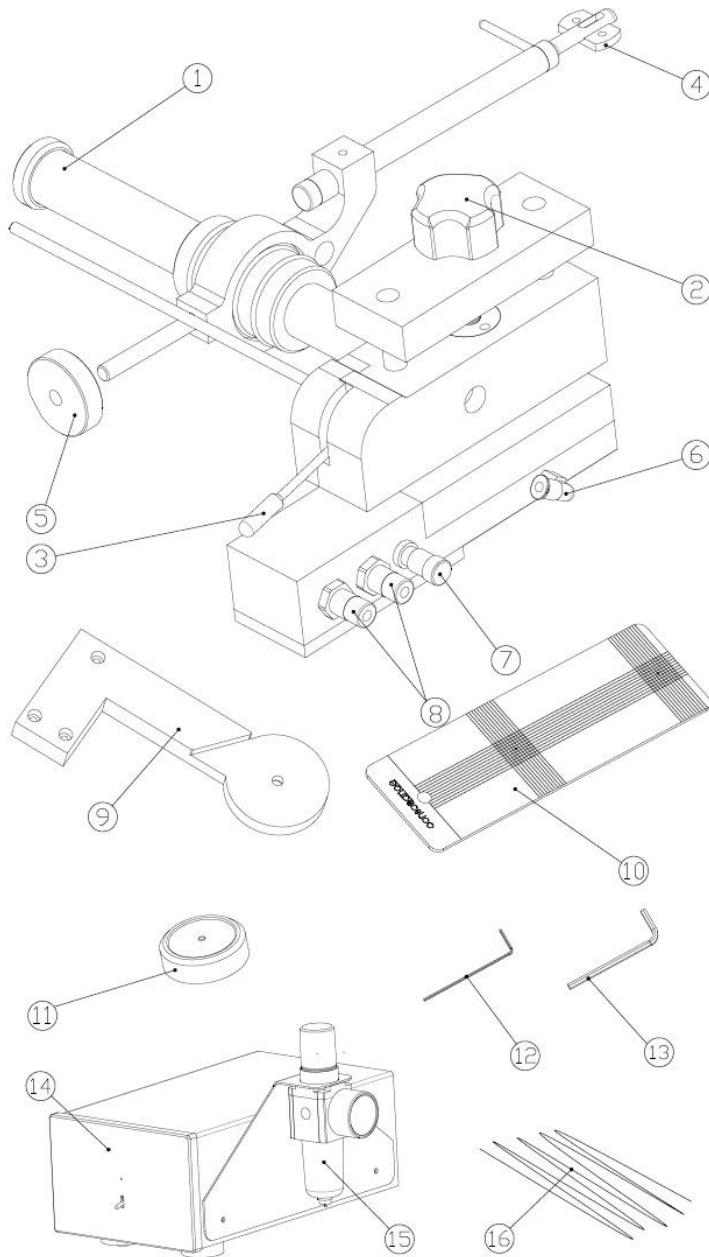


From left to right is: power on/off switch, 33/45 speed selection switch, speed adjustment knob.

Put the Strobe Disc on the platter, and adjust the speed controller knob to get the 33.3rpm or 45rpm. The corresponding circle on Strobe Disc will display stable stripes.

LT-1 package contents

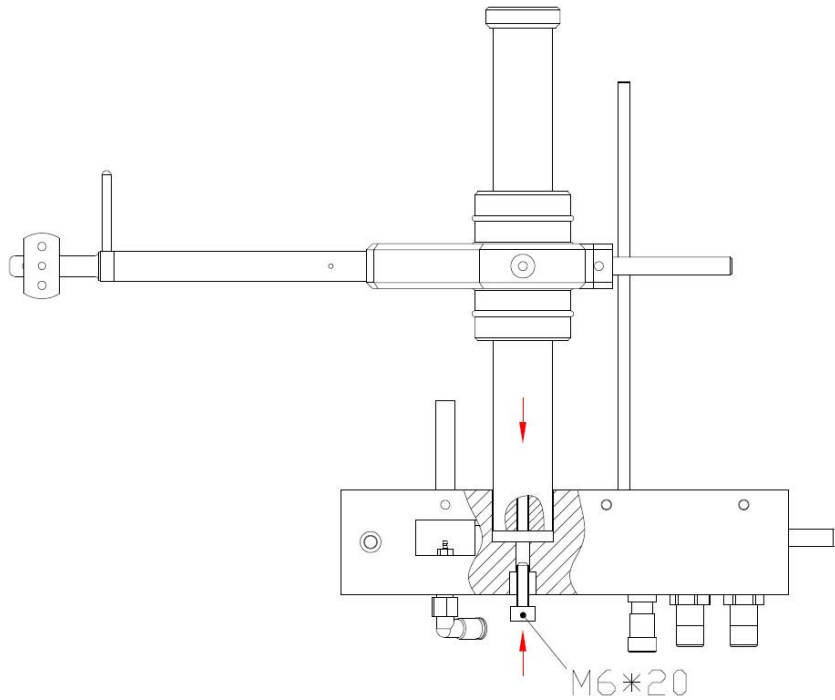
The consonance LT-1 tonearm is delivered in specially designed packaging to ensure its safe transport. Please check the contents as shown in picture below and in the list at the bottom of this page:



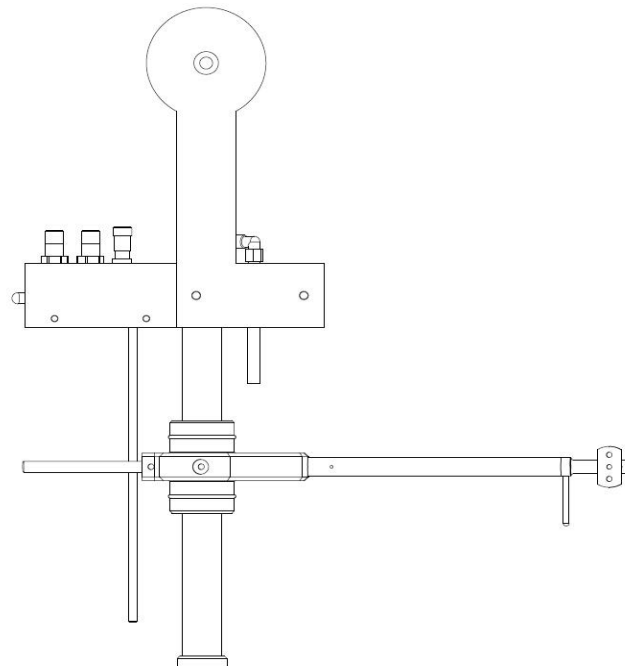
1. sliding rail
2. VTA adjustment
3. arm lifter
4. headshell
5. counterweight
6. airtube connector
7. ground connector
8. RCA connector
9. arm base for
Die Walküre
10. protractor
11. Level
12. 1.5mm allen wrench
13. 3mm allen wrench
14. pump
15. Separators
16. airtube

Fixing and Adjustment

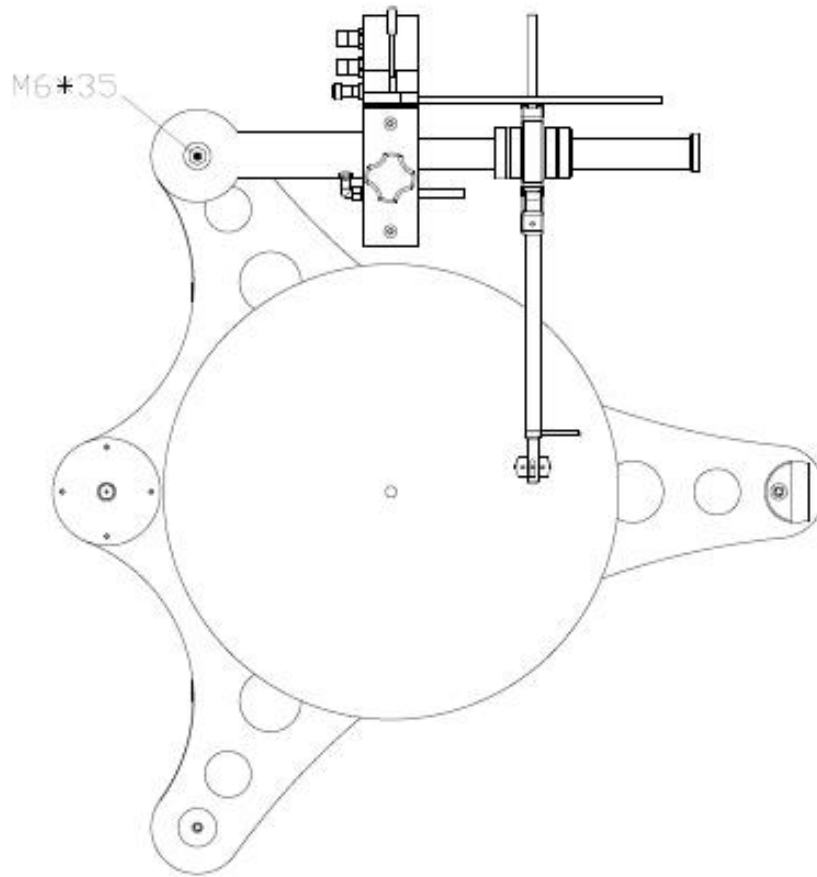
1. Carefully remove the arm from the package and put the sliding rail through the air bearing sleeve, and fix it on the bracket with the M6x20 screw.



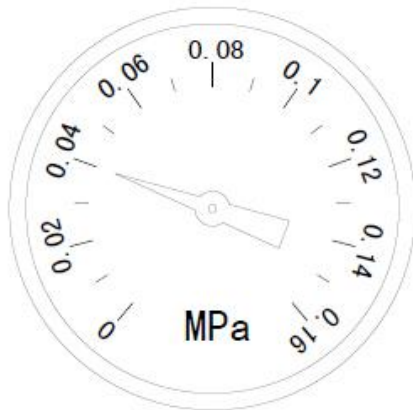
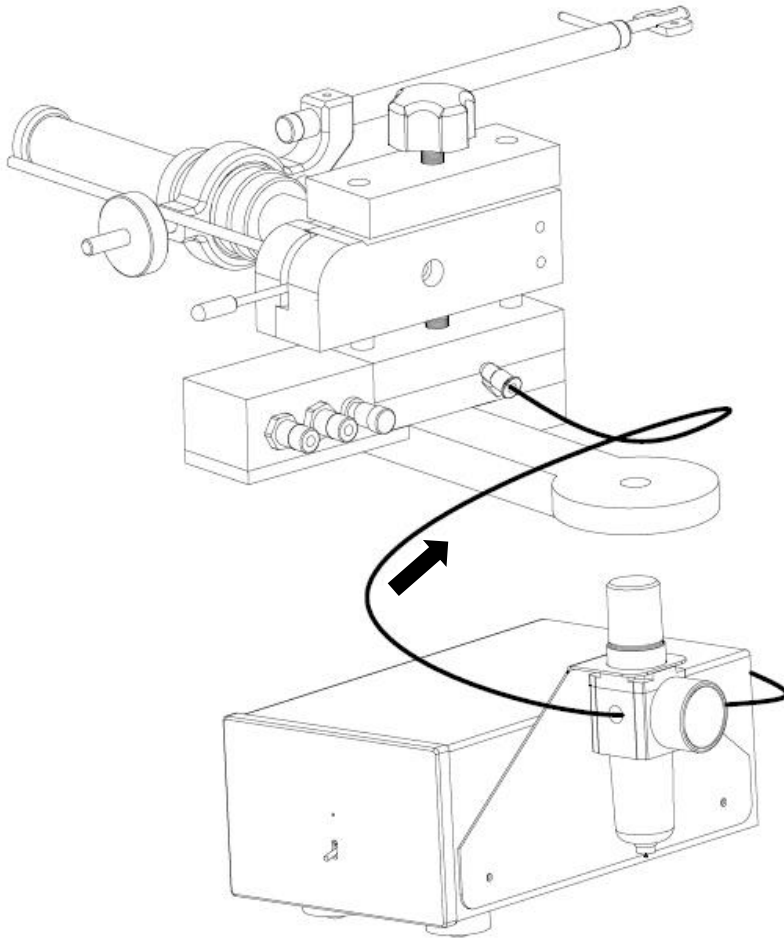
2. Fix the arm base on the bracket.



3. Use M6x35 screw to fix the tonearm on the turntable.

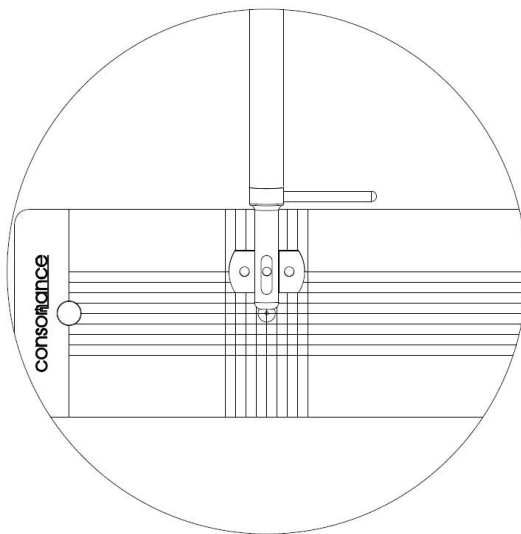
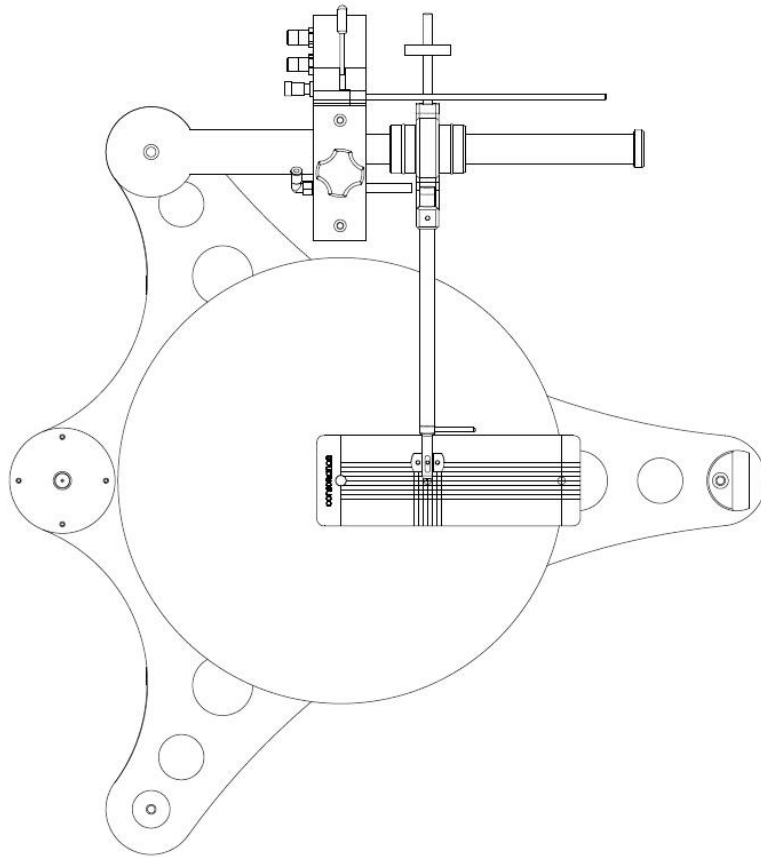


4. Remove the pump from the package. Follow the picture, make sure it use the airtube to connect with the water separator and tonearm. Then turn on pump. If the installation is correct, barometer will show 0.04MPa. Make sure the air bearing move is very smooth.

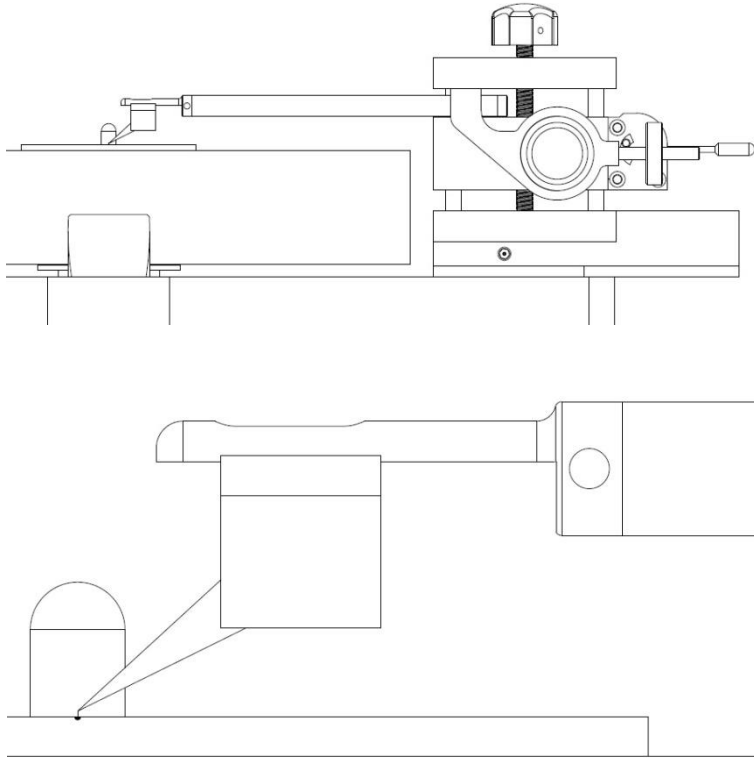


5. Mount the counterweight and the cartridge. Use the stylus guage adjust the cartridge tracking force.

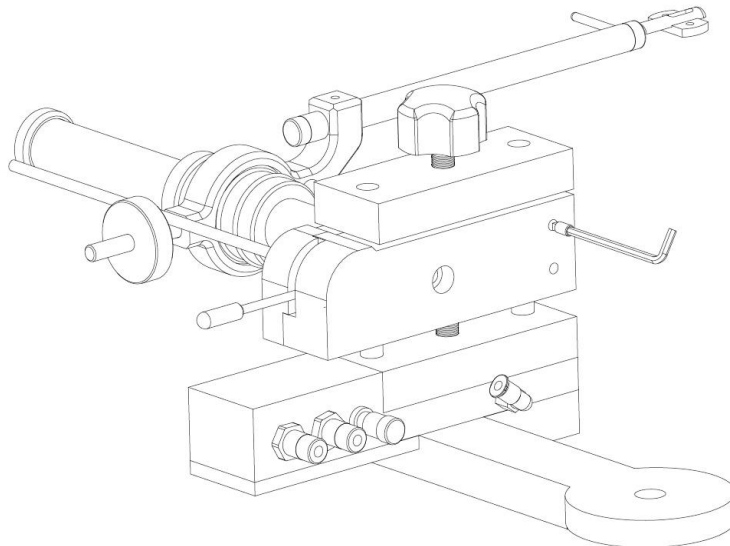
6. Put the protractor on the spindle of turntable. Let the straight line and the edge of the cartridge is parallel. Move the headshell until the tip fall the black spots .Fix the screw on the top of headshell.



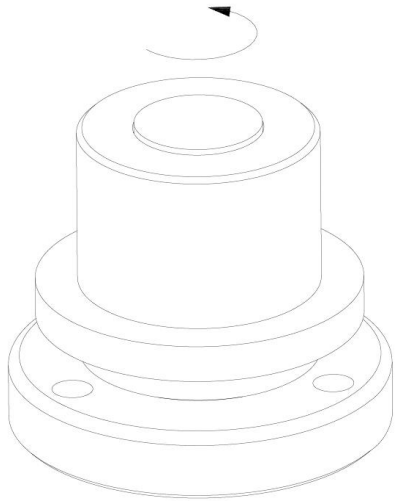
7. LT-1 has VTA adjustment system. You can at the same time while listening to adjust until satisfied.



When adjustment is completed, tighten the screws on the back.

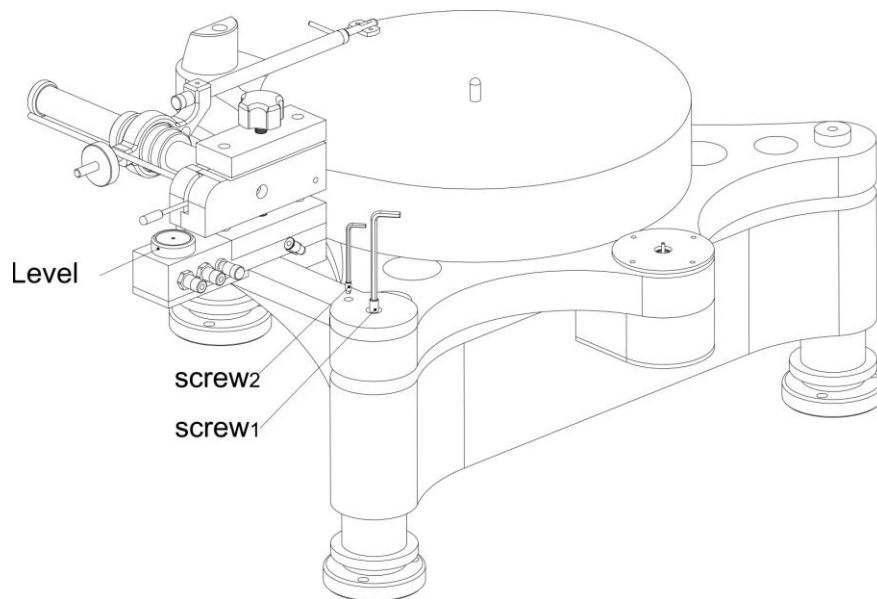


After installing the tone-arm, if the turntable is not level adjust the feet.



Note1: It is very important to adjust the level of the air float tonearm. First you can adjust feet. If necessary, you also can loosen the screw 2 then adjust the screw 1 confirm with the spirit level. In the end fix screw 2.

Note2: When the LT-1 is used for a period of time, the inside of the air bearing sleeve will be dirty, which will affect the normal operation. To clean the sleeve, loosen the M6 screw and remove the guide rail. Clean the inside of the sleeve with a wet tissue. After that, re-install the guide rails in step 1.



Die Walküre Turntable technical specification

Wow and Flutter: Less than 0.02

Rumble: Greater than 80dB down

Speed accuracy: Within 0.01%

WARRANTY

Opera audio guarantees each product manufactured by us to be free from defects in materials and workmanship under normal use. Our obligation under this warranty is limited to making good at our factory any part or parts thereof which shall, within 1 year after delivery to the original purchaser, be returned to us with transportation charges prepaid, and which an examination shall disclose to have been thus defective; this warranty being expressly in lieu of all other warranties expressed or implied and of all other obligations or liabilities on our part. This warranty shall not apply to any Opera audio product which shall have been repaired or altered outside of our factory in any way so as to affect its stability, nor which has been subject to misuse, negligence or accident. Warranties of the vacuum tubes are by the respective manufacturers, usually 90 days.

Please mail or e-mail the Registration Card to the address as follows:

The Opera Audio Co., Ltd.

No.2 Jianxianqiao Road

Chaoyang District

Beijing, China

Tel: 86 10 59789461

Fax: 86 10 59789265

support@opera-consonance.com

www.opera-consonance.com



Registration Card

Name
Address
City
State
Zip
Email
Telephone
Model
Serial Number
Purchase Date
Dealer